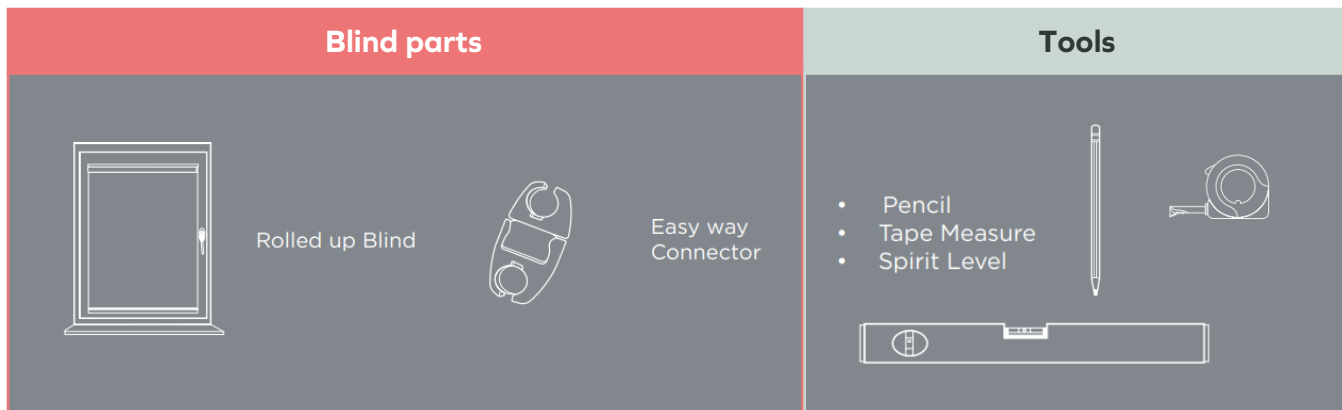


Blinds *by* **Post**

No Drill Roller Blinds Installation & Operation Instructions

FITTING INSTRUCTIONS 1/3

You should have:

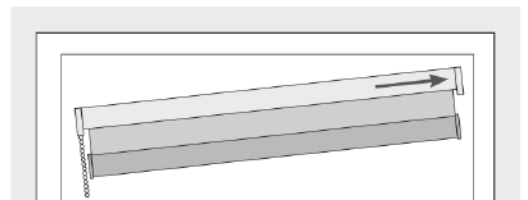


STEP 1

The installation of this product should be conducted by someone competent in DIY.

Measure & Mark The Position Of The Blind

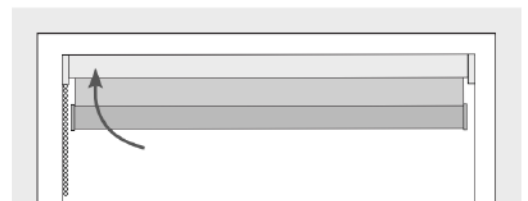
Measure and mark required position of the blind inside the recess. Make sure that walls are solid and there are no obstructions in the way i.e. window handle.



Children can strangle if a safety device is not installed. Always use a safety device to keep cords and chains out of reach of children.

STEP 2

Lift the control end of the blind until level and release pressure, the blind will hold itself in place.



STEP 3

Before locking the blind in place measure it with spirit level to ensure it's straight.

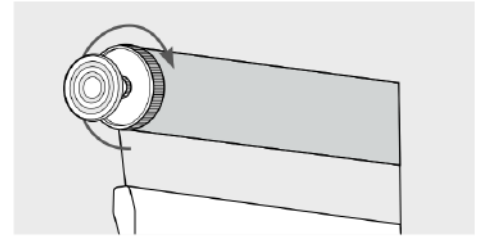


FITTING INSTRUCTIONS 2/3

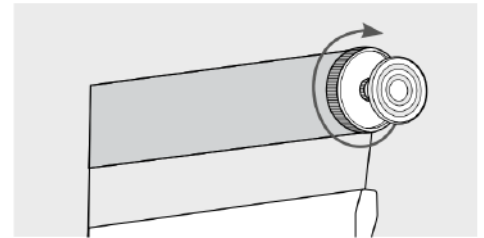
STEP 4

Hold the blind securely in place and turn the tightening wheel to tighten the blind in place.

If the tightener is on the left side of the blind turn it towards you. If its on the right, turn it away from you.



TIGHTENER ON THE LEFT



TIGHTENER ON THE RIGHT

STEP 5

Safety Device

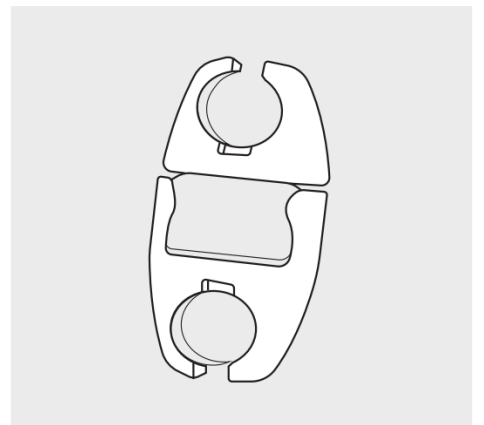
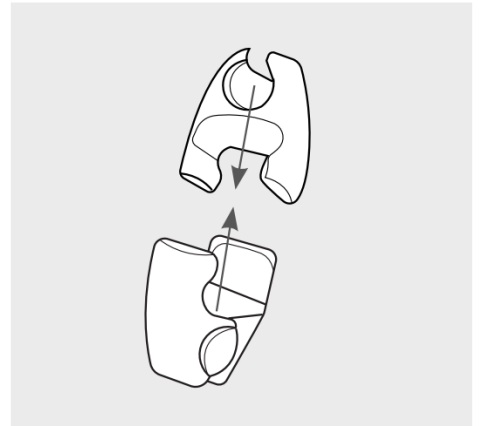
If the installation height is known, the cord length distance from the floor to the bottom of the pull cord shall be at least 0.6m.

If the installation height is not known the cord length should be less than or equal to 2/3 drop of the blind.

This blind is equipped with an Easy Way connector.

If it gets disconnected simply push both halves together.

EASY WAY CONNECTOR



FITTING INSTRUCTIONS 3/3

STEP 6

Troubleshooting Guide

Fabric Run-Off

Diagram 1 below shows the fabric running off from the right-hand side of the blind.

To correct the run-off, unroll the fabric, place a 25mm piece of sticky tape onto the tube (Diagram 2) at the opposite end of the blind to the run off. Fully wind the blind to the run-off. Repeat until the fabric is no longer running-off.

Stiff Clutch Operation

Hard operation of the clutch might be caused by the tightener putting too much pressure on the blind.

To reduce it turn the tightener to the opposite direction explained in STEP 4 ensuring that the blind stays secured and does not slip from the wall.

DIAGRAM 1

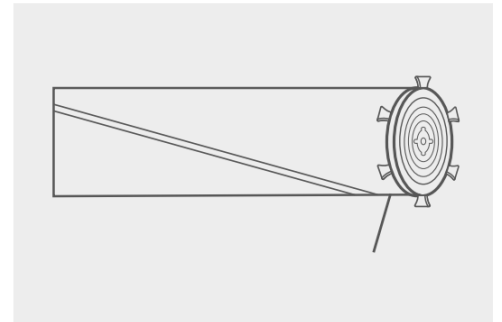
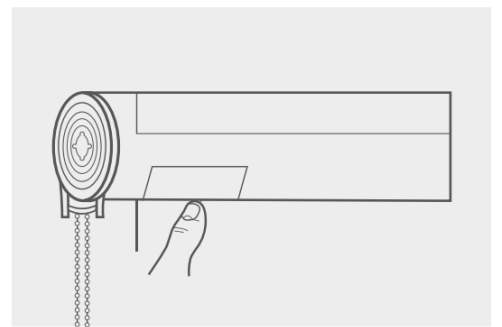


DIAGRAM 2



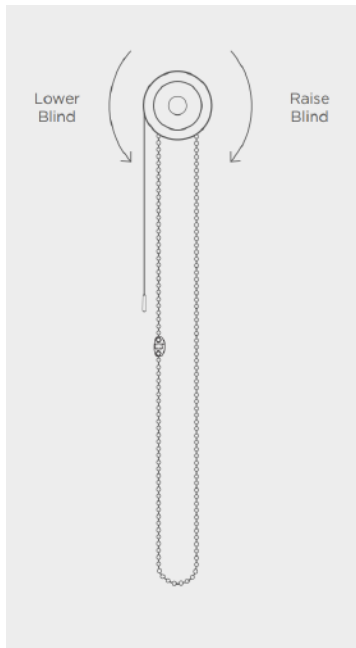
OPERATION INSTRUCTIONS

PLEASE READ THE INSTRUCTIONS BEFORE OPERATING THIS PRODUCT

STANDARD ROLL

(Fabric unrolls from behind blind)

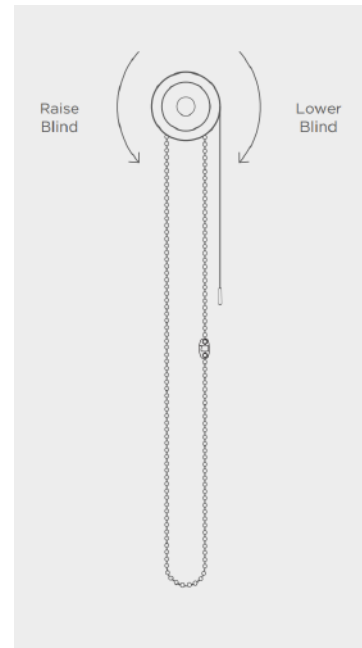
1. To lower the fabric on the roller blind gently pull the operating chain closest to the window.
2. To raise the fabric on the roller blind gently pull the operating chain furthest from the window.
3. Where possible operating chain should be operated from just above the chain connector as this puts less pressure on this component, reducing the risk of snapping or pulling apart.



REVERSE ROLL

(Fabric unrolls from front of blind)

1. To lower the fabric on the roller blind gently pull the operating chain furthest from the window.
2. To raise the fabric on the roller blind gently pull the operating chain closest to the window.
3. Where possible operating chain should be operated from just above the chain connector as this puts less pressure on this component, reducing the risk of snapping or pulling apart.



MAINTENANCE

The product is maintenance free however we recommend that regular visual checks are completed to ensure that no components have been damaged, which could result in operating difficulties and/or cause a safety risk. If any maintenance is required we recommend that the work is carried out immediately, by a reputable blind company.

WARNING

Young children can be strangled by loops in pull cords, chains, tapes and inner cords that operate the product.

To avoid strangulation and entanglement, keep cords out of the reach of young children. Cords may become wrapped around a child's neck. Move beds, cots and furniture away from window covering cords.

Do not tie cords together. Make sure cords do not twist and create a loop.



make it safe

