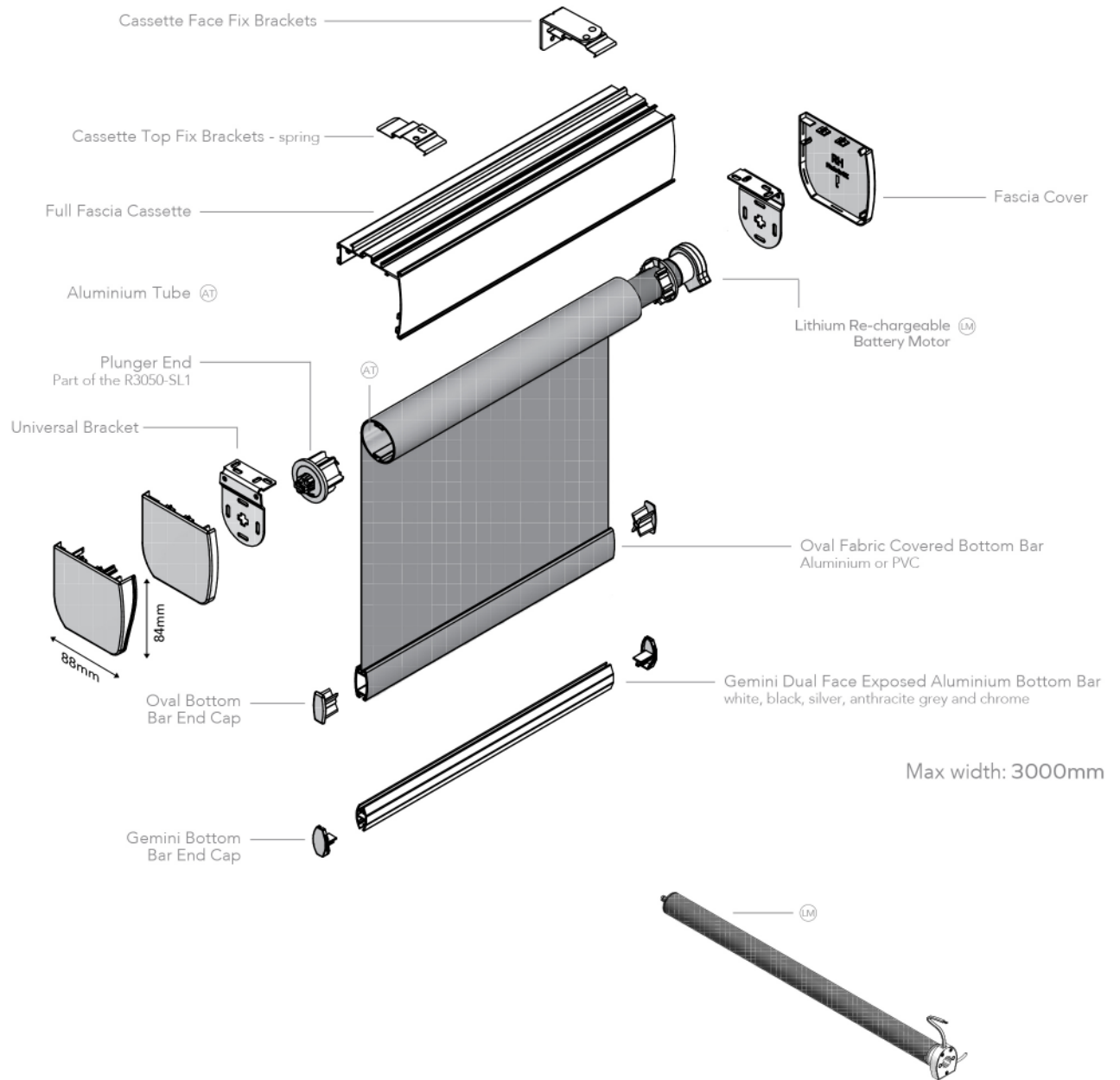


Blinds *by* **Post**

Motorised Cassette Roller Blind Specification

SYSTEM 40[®] MOTORISED ROLLER SYSTEM LITHIUM RE-CHARGEABLE BATTERY 1100 SERIES



SYSTEM 40[®] 70MM FASCIA BRACKET DIMENSIONS

- A. 40[®] standard metal bracket top fix & 70mm cover
- B. 40[®] standard metal bracket top fix front view

