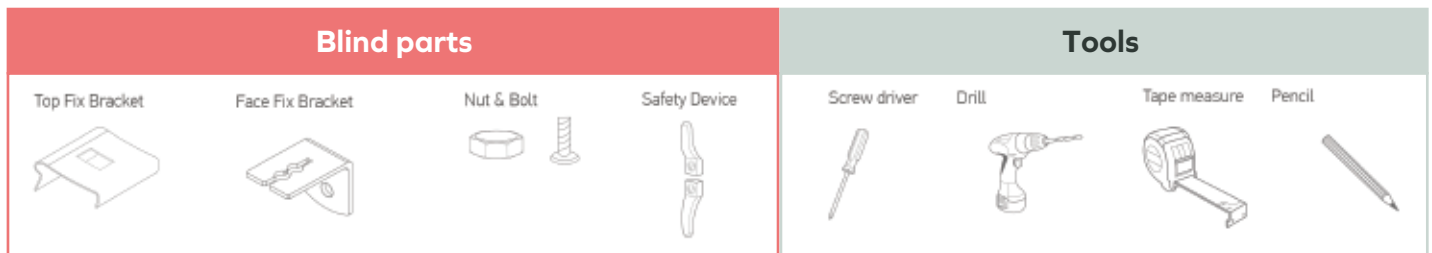


# **Blinds** *by* **Post**

## **Pleated Blinds Installation & Operation Instructions**

# FITTING INSTRUCTIONS 1/2

You should have:



## STEP 1

The installation of this product should be conducted by someone competent in DIY.

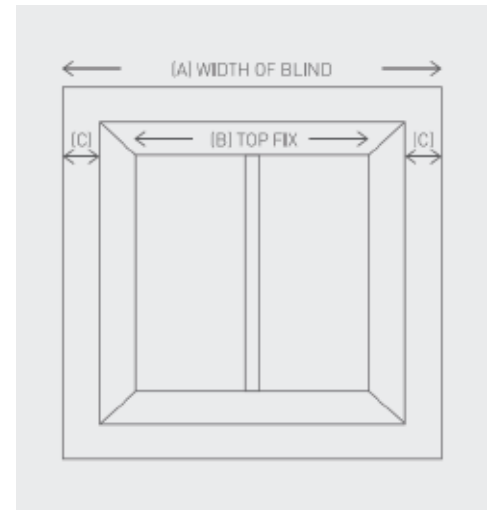
### Outside Recess

If the blind is to be fitted outside the window ensure that measurement C is the same. Follow instructions for FACE FIXING. To calculate  $C=(A-B)/2$ .

### Inside Recess

TOP FIX to the lintel or FACE FIX brackets to the window frame.

Children can strangle if a safety device is not installed. Always use a safety device to keep cords and chains out of reach of children.

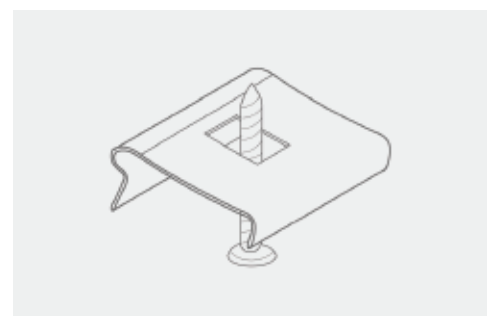


## STEP 2

The installation height of this blind must not be less than 1500mm from the floor.

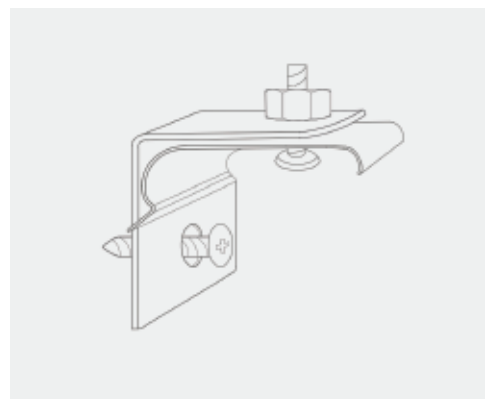
### Top Fixing

Measure and mark the distance between the wall and the back of the bracket, allowing for obstructions like handles that protrude into the recess area. The installation brackets (top and face fix) are positioned evenly along the width of the blind. Hold each bracket into place and mark the hole positions. Please ensure fixings are suitable for the wall/surface to which you are mounting the brackets.



### Face Fixing

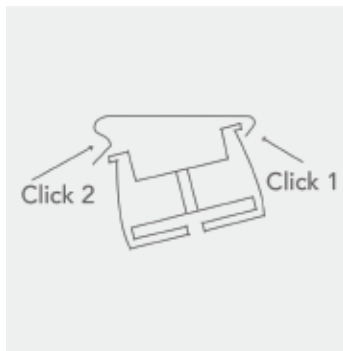
If face fixing profile use the additional bracket provided.



# FITTING INSTRUCTIONS 2/2

## STEP 3

Feed the headrail into the brackets as shown and push headrail up at the rear until it clicks in place fully.



## STEP 4

### Safety Device

Cord safety cleat - The safety cleat shall be installed as close to the headrail as possible and in all cases not less than 500mm from the floor.

The Cord must be fully accumulated around the safety cleat(s) when the blind is not in use.

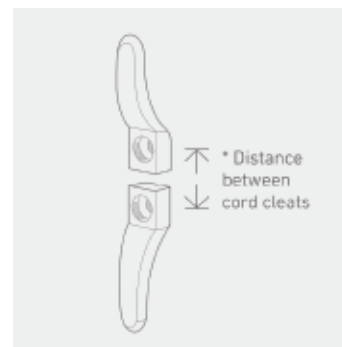
Use the table below to determine the distance required between the cleats to fully accumulate the cords when the blind is fully raised.

Drop of Blind	*Distance between cord cleats (centre to centre)
1-1000mm	100mm
1001-2000mm	150mm
2001-3000mm	300mm

Place the safety cleat in the desired position on the wall and mark the positions of the holes with a pencil.

(Note: Based on cord up to 2.8mm, 17mm can be accumulated in total.)

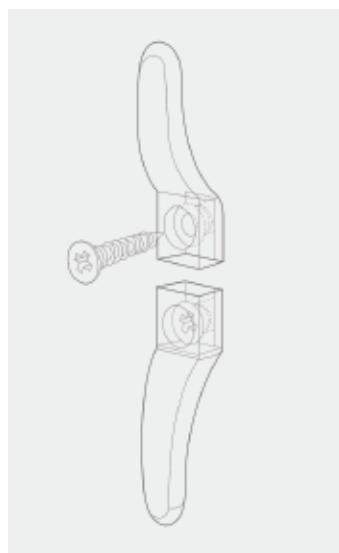
Mark the hole positions and drill as required.



Use suitable screws to attach the safety cleat securely to the wall.

Wrap the cords around the cord cleats in a figure of 8.

When the cords are fully accumulated ensure they are secure so when any cord is pulled no excess cord is released.



# OPERATION INSTRUCTIONS

PLEASE READ THE INSTRUCTIONS BEFORE OPERATING THIS PRODUCT

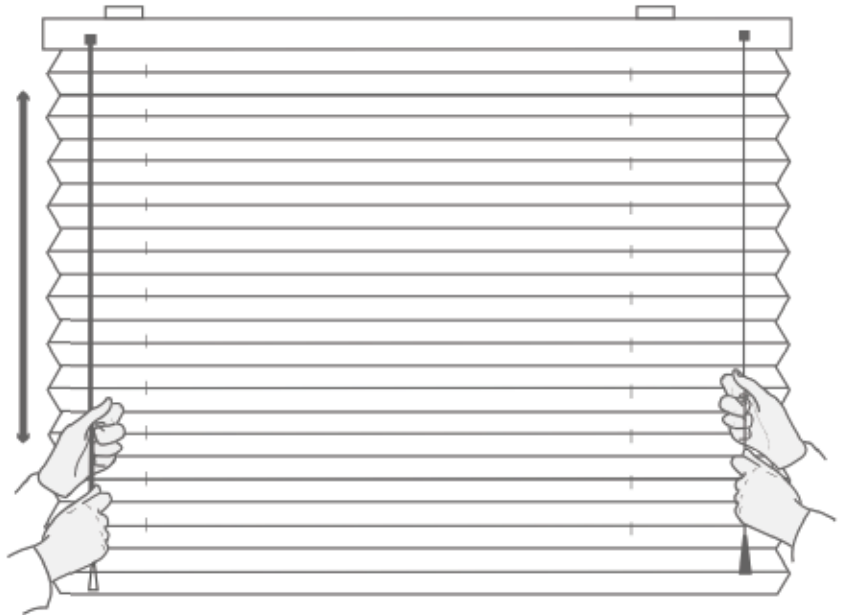
## STANDARD ROLL

There is one cord control that will operate the blind.

**To lower blind:** Move lift cord towards middle of the blind pulling down gently until cord lock releases.

**To raise blind:** Pull lift cord downward until blind reaches desired height.

**To lock cords:** Pull lift cord towards the outside of the blind and release. Cord will lock automatically.



## CLEANING

To prevent blinds from becoming dirty, the blinds should be cleaned regularly with a feather duster.

## MAINTENANCE

The product is maintenance free however we recommend that regular visual checks are completed to ensure that no components have been damaged, which could result in operating difficulties and/or cause a safety risk.

If any maintenance is required we recommend that the work is carried out immediately, by a reputable blind company.

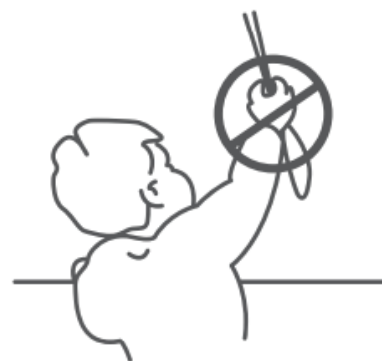
We recommend opening and closing your blind regularly to maintain the pleats in the fabric. Recommended that pleated blinds should be stacked overnight, at least once a week to maintain their pleat and shape.

## WARNING

Young children can be strangled by loops in pull cords, chains, tapes and inner cords that operate the product.

To avoid strangulation and entanglement, keep cords out of the reach of young children. Cords may become wrapped around a child's neck. Move beds, cots and furniture away from window covering cords.

Do not tie cords together. Make sure cords do not twist and create a loop.



make it safe

