

Blinds *by* Post

Perfect Fit Roller Blinds Installation Instructions

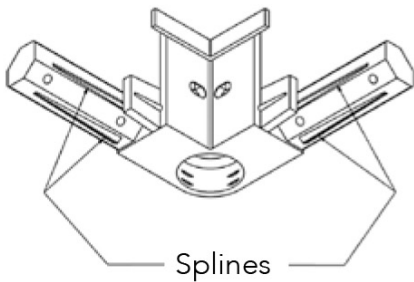
Perfect Fit Fitting Instructions

FITTING CORNER JOINTS

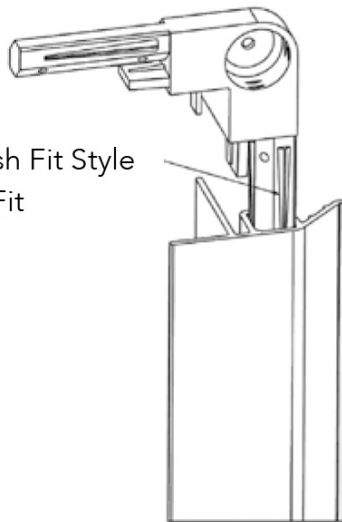
Slide the curved aluminium frame into the idle corner joint.
Do this by sliding the joints into your frame section.



FITTING PUSH FIT CORNER JOINTS



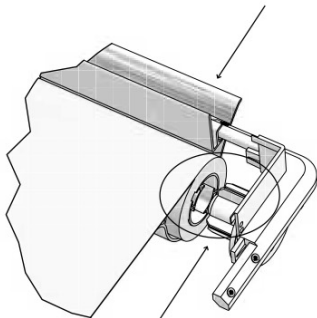
New Push Fit Style
Perfect Fit



**Screw holes have been retained for customers wanting to screw fit.
Screws must be purchased separately
(Part Code - 4099)

FINAL FRAME JOINT

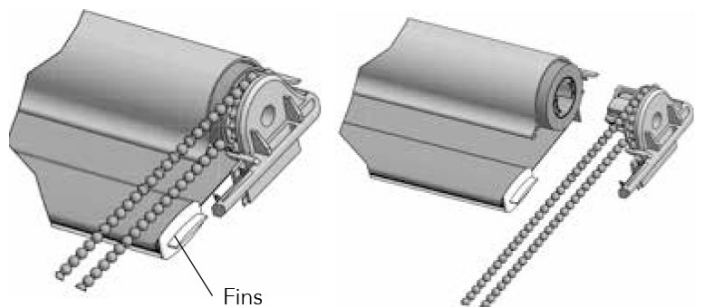
Slide the curved aluminium frame into the idle corner joint.



The simplest way to do this is to slide the leg of the corner joint into the curved section.
Before the leg is all the way in, ensure that the bush on the corner joint lines up with the top tube.

BLIND ASSEMBLY

Slide the chain end joint in the opposite end.

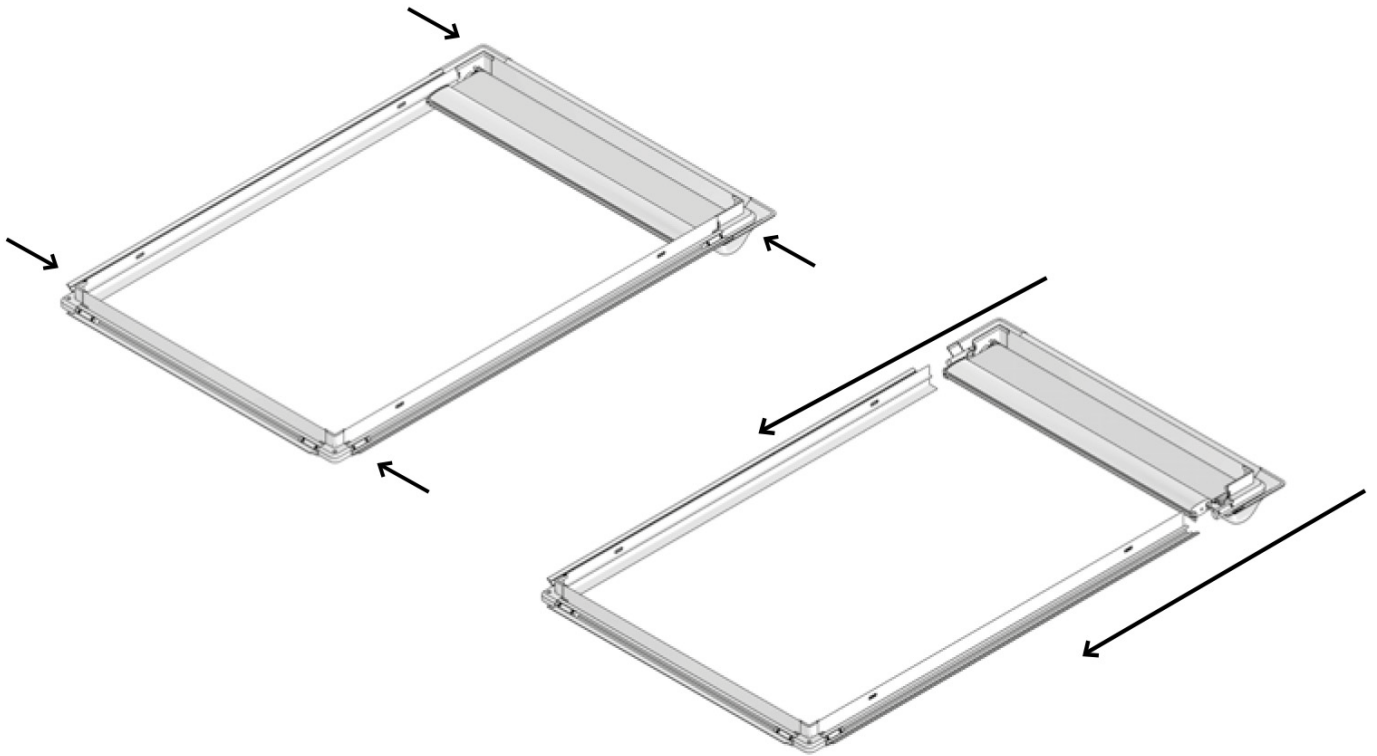


Once assembled, slide the roller blind over the end set assembly until it will go no further.

Perfect Fit Fitting Instructions

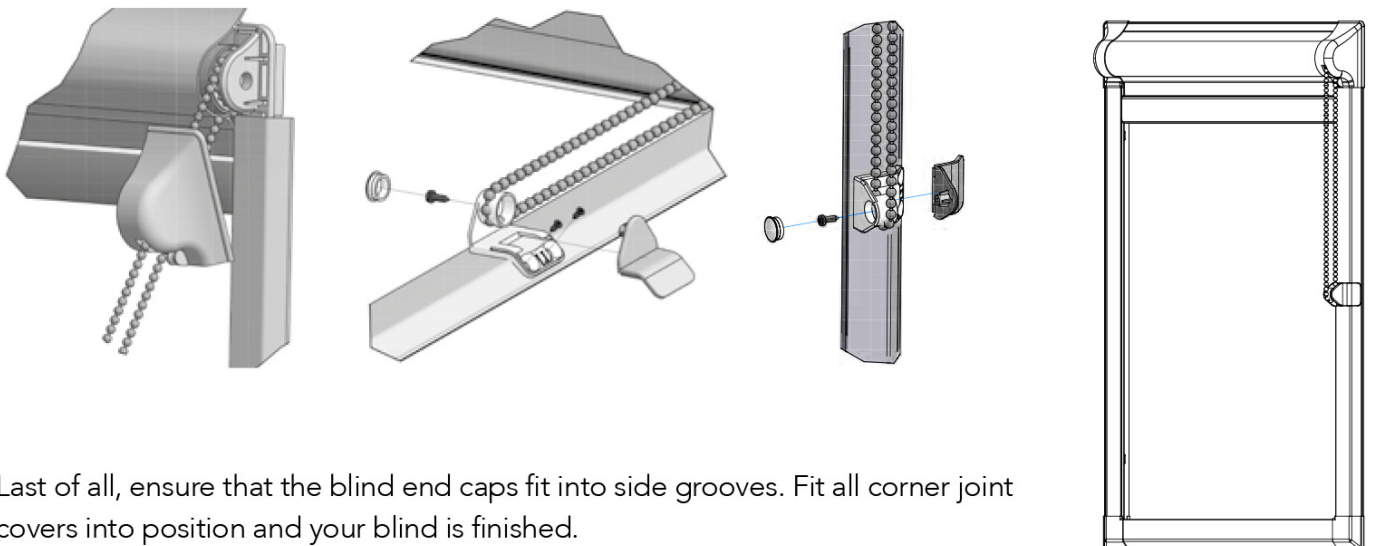
FITTING CURVED TOP SECTION

Slide top of curved section into the rest of the frame, ensuring that end caps are located into the side channel.



FIXING THE CORD TIDY

Make sure the chain is through the corner cover. Pull the chain taut with cord tidy attached. Then mark the 2 holes on the side frame and drill 2mm holes, fix them with the screw provided and slide over the top section cover. Fix the other screw provided to hold the cord tidy together and push the cover over the hole.



Last of all, ensure that the blind end caps fit into side grooves. Fit all corner joint covers into position and your blind is finished.

FITTING THE FRAME

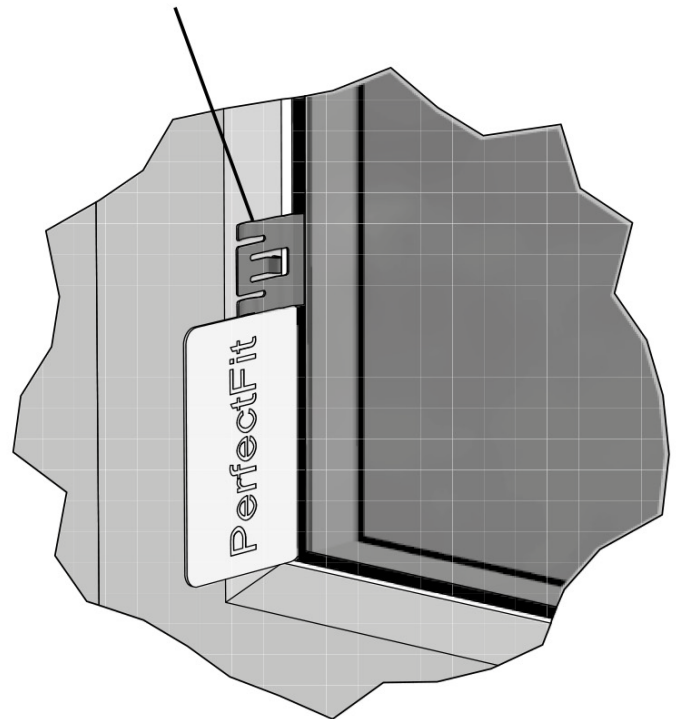
To ensure all brackets are in the correct position for fitting (85mm from beading) use a credit card in the corner of the window to locate the bracket position.

For ease of insertion, use a lubricant in the form of washing up liquid on the base of each bracket.

Line up the bracket with the base or top of the credit card (depending on which corner of the window you are working) and fit the bracket by pushing it between the glass and the rubber seal of the window.

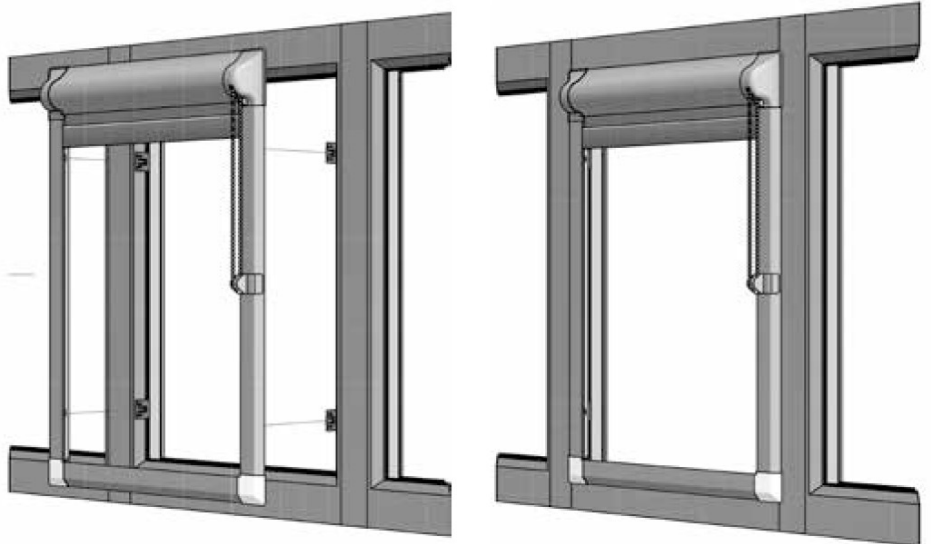
Repeat for all 4 corners of the window, and intermediate brackets (if required) then clean excess lubricant prior to fitting the frame.

Line up bracket with edge of card



Firmly press the frame down onto each bracket. Fit one side at a time for an easier installation (if handle is present fix this side first).

Line up the holes in the frame with the brackets.



NOTE TO INSTALLER: Please ensure general child safety warning tag is fitted on the product.

WARNING

Young children can be strangled by loops in pull cords, chains, tapes and inner cords that operate the product.

To avoid strangulation and entanglement, keep cords out of the reach of young children. Cords may become wrapped around a child's neck. Move beds, cots and furniture away from window covering cords.

Do not tie cords together. Make sure cords do not twist and create a loop.

