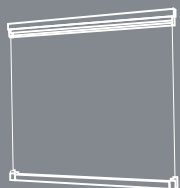


Blinds *by* Post

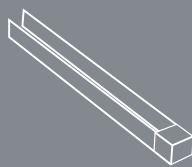
No Drill ZeroLux™ Blind Installation Instructions

FITTING INSTRUCTIONS 1/4

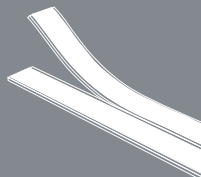
You should have:



Upper & lower frames X2



Left & right side frames and frame connectors X2



Foam strips



Mounting screws / wall plugs (optional)



Cover caps X4



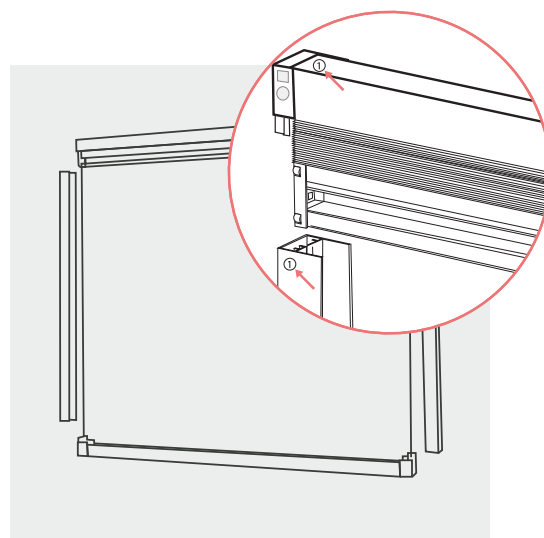
Screwdriver

THE INSTALLATION OF THIS PRODUCT SHOULD BE CONDUCTED BY SOMEONE COMPETENT IN DIY.

Step 1: Unpack your blind

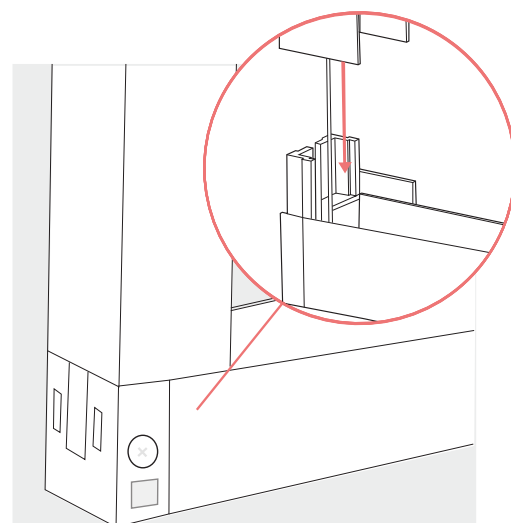
1. Unpack all parts: Lay out the upper frame, lower frame, and side frames on a clean, flat surface.

2. Position the upper and lower frames: Place the upper and lower frames parallel to each other on a horizontal surface, ensuring the numbers match up.



Step 2: Connect the frame

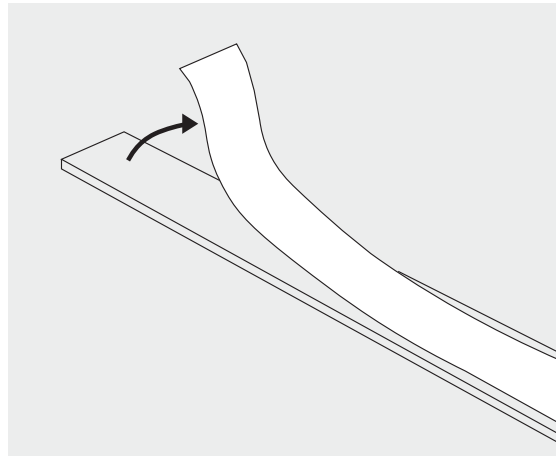
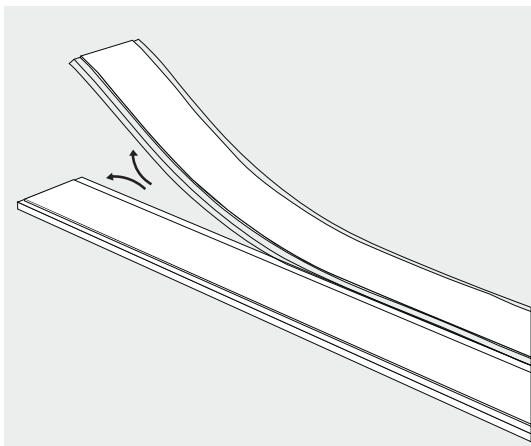
Attach one frame connector onto one end of the frame with the fabric, then attach the other connector onto the other end always ensuring you are matching up the numbered components.



FITTING INSTRUCTIONS 2/4

Step 3: Peeling the adhesive

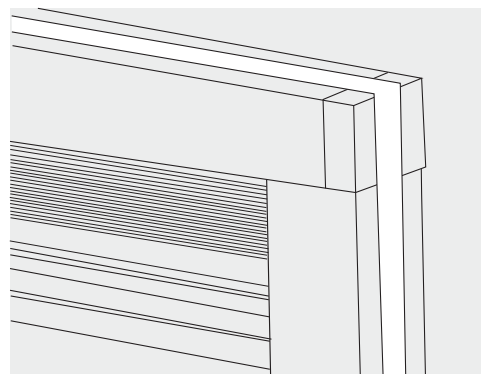
Split the provided foam strips into two equal parts. Peel off the protective backing from the foam strips to expose the sticky side.



Step 4: Apply the foam strips

Foam strips are **required** for all no drill installs - they provide the structural grip and light seal.

Apply the foam strips to all 4 sides of your frame. Ensure all sides are properly covered without any gaps.



Our blinds are supplied pre-tensioned, but some resistance on the cords during assembly is normal due to packing and transport. Once assembled, a small tension adjustment may be needed. If required, tighten the tension by approximately a quarter turn using the supplied screwdriver. Always adjust and test the tension with the blind fully open and securely held in place.

We recommend using the provided cling film to secure the blind during tensioning, or having a second person hold the blind while the adjustment is made.

FITTING INSTRUCTIONS 3/4

Step 5: Tension your blind

Use the supplied screwdriver only to adjust the tension screw at the front of the frame connector. Turn gradually until the desired tension is reached.

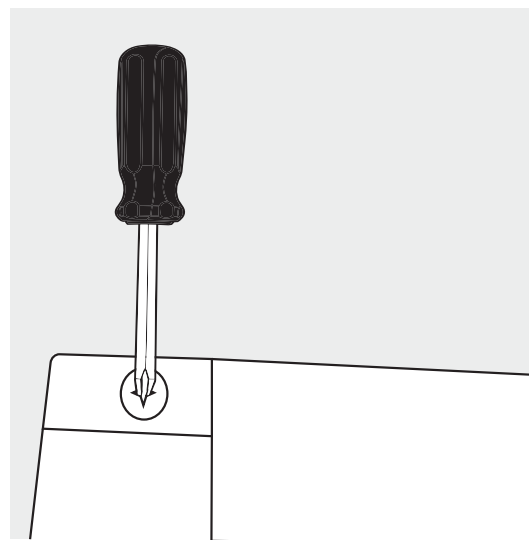
Top Tip: Alternate between the two screws to ensure the blind is tensioned evenly on both sides, helping to prevent it from becoming unlevel.

If your blind operates top to bottom:

Your tensions screw will be on the bottom left and right frame.

If your blind operates sideways:

Your tensions screw will be on the opposite side to the fabric bunch.

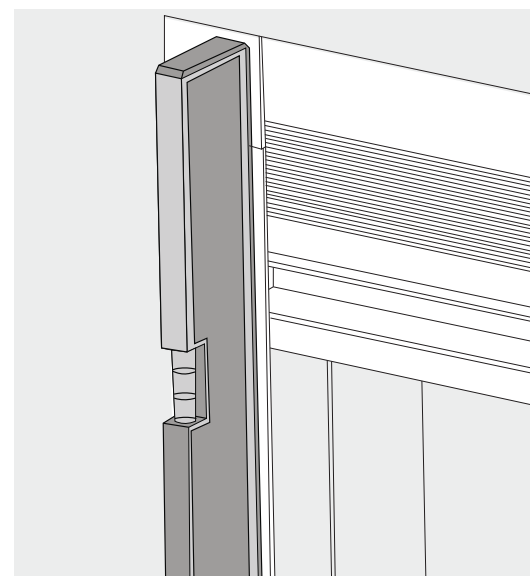


Step 6: Position the blind

Raise the blind into the window recess. Position it so that it's close to the front of the recess, with a gap of at least 30mm between the back of the blind and the window.

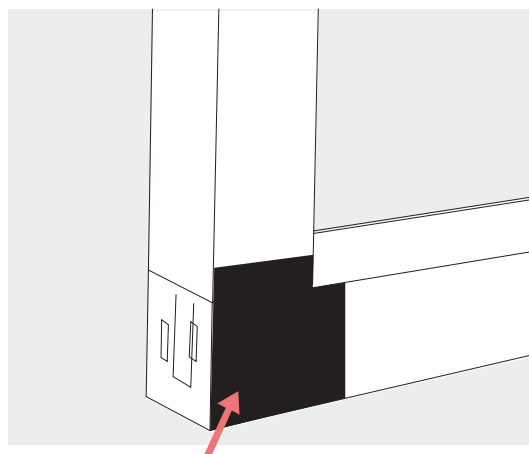
Use a spirit level to make sure that both sides of the blind are level and there is no 'twist' to the blind.

Remember to position the blind in the recess at the point where it was originally measured.



Step 7: Add your Cover Caps

Clip the cover caps onto the front of each corner.



FITTING INSTRUCTIONS 4/4

Step 8: Check your blind

Now you have placed the blind inside of your window recess, the blind should be securely in place.

If your blind is not secure, please re-check your recess measurements provided, and check you're installing it at the point you measured.



TROUBLESHOOT

Optional: Add Decorator's Caulk:

If you want a tidier edge or added blackout performance, you can also caulk around the outer frame after installation. Caulk is optional but can improve aesthetics and help seal small visual gaps.

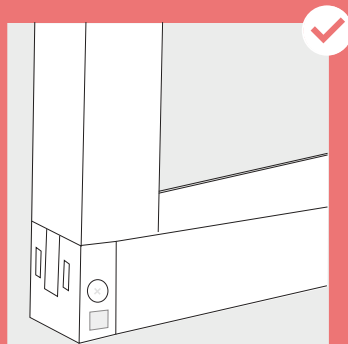
You will also notice you have optional screws/wall plugs to use if required for your No Drill ZeroLux™. You can secure your blinds to the wall through the pre-drilled holes in the side channels.

Corner caps orientation:

The end caps must be installed in the correct orientation. If they are fitted incorrectly, this can affect both the width and the drop of the blind - causing one dimension to be too large while the other is too short. For example, if the end cap is currently overlapping on the width and making the blind too wide, it will need to be repositioned so that it overlaps on the drop instead.

To resolve this issue, please dismantle the blind and re-fit the end caps in the correct position and orientation. Refer to the attached image for guidance. It shows the correct orientation when viewed from the top/bottom versus from the side, helping you identify how the end caps should be aligned.

HORIZONTAL
ORIENTATION



VERTICAL
ORIENTATION



MAINTENANCE

The product is maintenance free however we recommend that regular visual checks are completed to ensure that no components have been damaged, which could result in operating difficulties and/or cause a safety risk. If any maintenance is required we recommend that the work is carried out immediately, by a reputable blind company.

WARNING

Young children can be strangled by loops in pull cords, chains, tapes and inner cords that operate the product.

To avoid strangulation and entanglement, keep cords out of the reach of young children. Cords may become wrapped around a child's neck. Move beds, cots and furniture away from window covering cords.

Do not tie cords together. Make sure cords do not twist and create a loop.

