

Blinds *by* Post

QuickStick Metal Venetian Blinds Installation Instructions

Important Installation Notice: After fitting, please leave the blind untouched for a minimum of 20 minutes before operating. This allows the adhesive tape to properly settle and begin curing for a secure bond. Maximum bond strength is achieved after 24 hours.

FITTING INSTRUCTIONS

Before you start:

Correct preparation is key to a secure installation:

- Using your regular glass cleaner clean the glass thoroughly, removing all dust, grease, and oils.
- Now, using the Surface Cleaning Wipe supplied, wipe the glass where the blind will affix (top and bottom of glass), in one direction from left to right.
- Next, using the Primer Adhesion Promoter Wipe, again wipe the area where the tape will be applied.
- Leave the Primer to dry for a few minutes before applying the tape.
- Ensure the surface is completely dry before fitting. This may take up to 5 minutes.

A properly prepared surface ensures maximum adhesion and long-term performance.

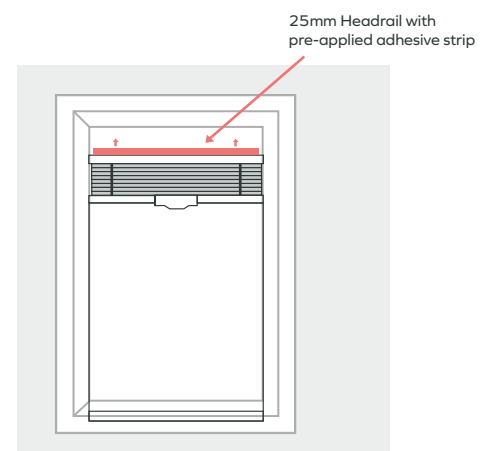
Step 1 - Position the top bar

Peel back the adhesive strip from the reverse of the top bar

- Press firmly onto the glass
- Apply even pressure along the full width ensuring full adhesion along the full width of the top bar

Once fixed, allow the blind to hang naturally and check it sits straight.

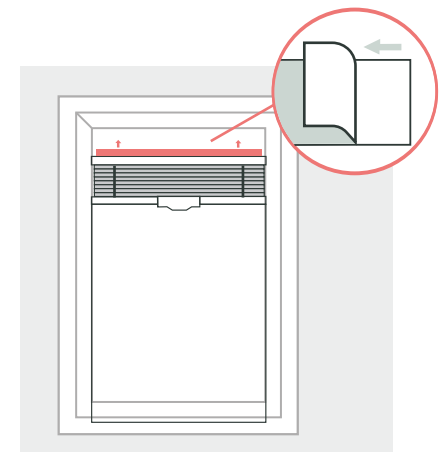
Please note: Blind must only be stuck to the glass and adhesive shouldn't sit on rubber gasket, beading or frame.



Step 2 - Fix the Top Bar

- Peel back the adhesive strip from the reverse of the top bar
- Press firmly onto the glass
- Apply even pressure along the full length

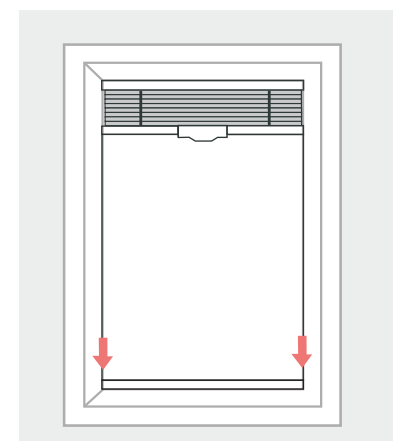
Once fixed, allow the blind to hang naturally and check it sits straight.



Step 3 - Position the Bottom Bar

- Lower the blind gently towards the bottom of the window
- Keep the blind straight and under light tension
- Align the bottom bar with the bottom edge of the visible glass

Please note: Blind must only be stuck to the glass and adhesive shouldn't sit on rubber gasket, beading or frame.

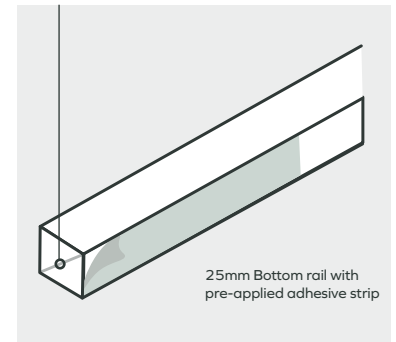


FITTING INSTRUCTIONS

Step 4 - Fix the Bottom Bar

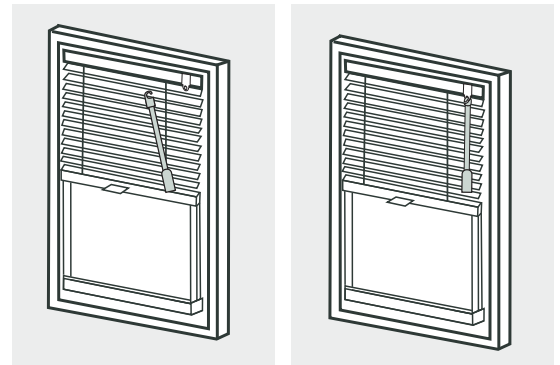
- Peel back the adhesive strip from the reverse of the bottom bar
- Press firmly into position
- Apply even pressure along the full width ensuring full adhesion along the full width of the bottom bar

Ensure the blind is straight and evenly tensioned before fully securing.

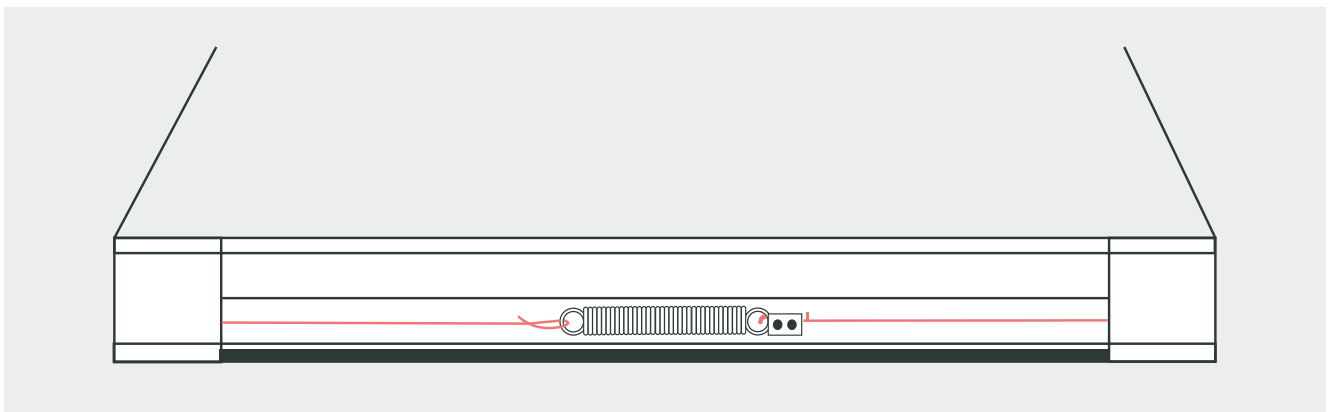


Step 5 - Attaching the Wand

Attach the plastic wand by hooking the wand onto the tilt mechanism on the QuickStick Metal Venetian Blind.



Adjusting the Cord Tension



If the blind does not stay in position when fully raised and begins to slip down, the cord tension may need adjusting.

To adjust:

- Carefully pull the spring out from underneath the bottom rail. Do not use scissors for this step.
- One cord end is secured by a holding screw. Loosen the screw slightly while holding the cords.
- Pull approximately 10mm of cord through (away from the spring) to increase tension.
- Tighten the screw securely.
- Test the blind and repeat small adjustments if required.

Once correct, tuck the spring and cords neatly back behind the rail.

Important Installation Notice: After fitting, please leave the blind untouched for a minimum of 20 minutes before operating. This allows the adhesive tape to properly settle and begin curing for a secure bond. Maximum bond strength is achieved after 24 hours.

MAINTENANCE

The product is maintenance free, apart from that you may need to re-tension over time (see step 3). However we recommend that regular visual checks are completed to ensure that no components have been damaged, which could result in operating difficulties and/or cause of a safety risk. If any maintenance is required we recommend that the work is carried out immediately, by a reputable blind company.

WARNING

Young children can be strangled by loops in pull cords, chains, tapes and inner cords that operate the product.

To avoid strangulation and entanglement, keep cords out of the reach of young children. Cords may become wrapped around a child's neck. Move beds, cots and furniture away from window covering cords.

Do not tie cords together. Make sure cords do not twist and create a loop.



**make it
safe**TM

BBSATM
BRITISH BLIND & SHUTTER ASSOCIATION